

# SR-150



## SR-SERIES PRIMARY SHREDDERS SPECIFICATION SHEET



## INTRODUCTION

The Fornnax Dual-Shaft SR-150 Primary Shredder is best example of modern engineering and technology in the field of recycling business. Each shaft is driven by its own motor and generates high torque at low speed providing plenty of power to individual shaft. The Fornnax Dual-Shaft SR-150 Shredder is tailor-made and multi-purpose machine to be utilised for size reduction of bulky waste, data destruction and primary shredding where output size variations are acceptable. The output size depends upon the knives thickness and consists of “strips” of sizes varying from 50 mm to 60 mm.

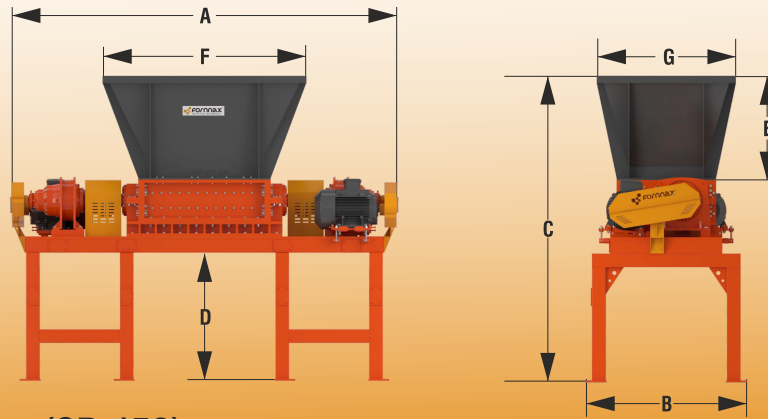
## APPLICATIONS

- Passenger / Truck Tyres
- Mixed & Bulky Waste
- Municipal Solid Waste
- Electronic Waste
- Metal Drums
- Baled & Bulky Materials
- Woods/ Pallets
- Metals & Appliances
- Construction Demolition Waste
- Plastic Scrap
- Paper/Cardboard
- Many more...

## FEATURES

- High Throughput - low power consumption drive design
- Service Platform - maintenance is easy
- Specially Designed Knives - with hard face & re-grind multiple times for low cost operations
- Specific Stop/Auto Reversal Feature - protects against over-feeding and damage by unsuitable materials
- Output Size - can be easily controlled
- Inlet & Outlet hopper - highly customized

**SUITABLE FOR MOST DIFFICULT  
SHREDDING APPLICATIONS**



**PRIMARY SHREDDER (SR-150)**

**TECHNICAL SPECIFICATIONS**

**DRIVE AND TRANSMISSION SYSTEM**

Power Range	150-300 HP
Number of Motors	2
Drive Specification	Electric
Voltage	As per Customer's Requirement

**CUTTING SYSTEM**

Cutting Chamber	1600 mm X 1170 mm
Knives Thickness	50 mm
Knives Diameter	650 mm
Hopper Opening (F X G)	3340 mm X 1950 mm
Hopper Height (E)	1450 mm
Discharge Height (D)	1800 mm
In-feed Height (C)	4410 mm

**OVERALL DIMENSIONS AND WEIGHT**

Equipment Length (A)	6100 mm
Equipment Width (B)	2198 mm
Equipment Height (C)	4410 mm
Equipment Weight (Approx.)	17000 Kg

\*Above displayed technical data, dimensions and specifications of equipment is representational. Dimensions are approximate. Actual equipment data may differ from shown. Consult with fornax for actual equipment drawing and layout plan.

**OPTIONAL EQUIPMENTS**



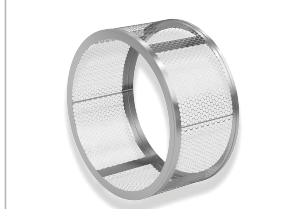
**PUSHER RAM**

To assist the material towards cutting process.



**CONVEYING SYSTEM**

For conveying material to next stage.



**TROMMEL SCREEN**

To separate oversize output material.



**RESONANCE SCREEN**

To separate oversize output material.



**SERVICE PLATFORM**

For easy maintenance and serviceability

