

# TR-1400



## TR-SERIES GRANULATOR SPECIFICATION SHEET



## INTRODUCTION

The Fornnax Granulator TR-1400 is a single-shaft heavy duty machine designed to accept pre-shredded steel-free rubber mulch, wire cables and plastics for down-sizing the particles up to 4 mm granules. The machine is driven by 120 HP to 150 HP motor, providing sufficient power and torque to the rotor shaft. The technology becomes very reliable and efficient with the design of low cost blades and the use of replaceable screens.

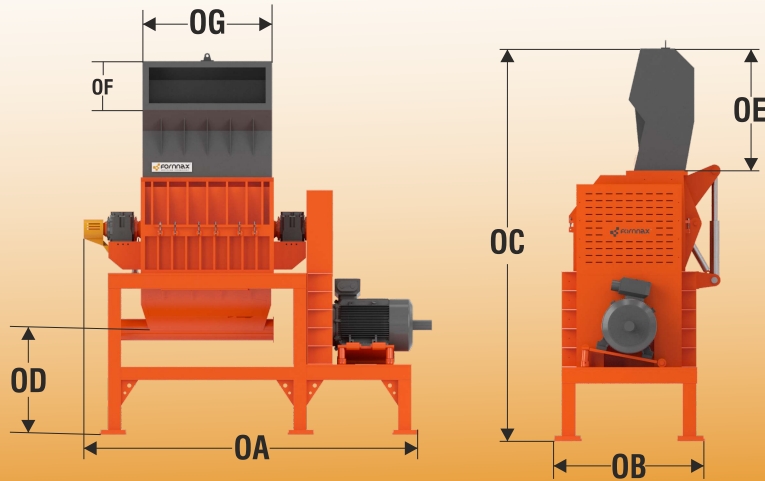
## APPLICATIONS

- Tires Recycling
- Electronic and electrical waste
- Wire Cables Scrap
- Plastics
- Rubber Products waste
- Many more...

## FEATURES

- **SECOND-TO-NONE-SERVICEABILITY**
  - Hydraulic hopper opening & service platform - ensure easy maintenance
- **VERSATILITY**
  - Rapid screen change system - to control the output size
- **LOW MAINTENANCE COST**
  - Four fold use & Multiple time re-grinding blades - for low cost operations
- **PRECISION CONTROL**
  - Specific Stop Feature - protects against over-feeding and damage by unsuitable materials.
- **ADVANCED BEARING HOUSING**
  - Advanced Bearing Housing - isolates bearings from cutting chamber contamination
- **LONGEVITY**
  - Replaceable wear plates - to increase the durability of cutting chamber
- **CUSTOMIZATION**
  - Inlet & Outlet hopper - highly customized

**SUITABLE FOR MOST DIFFICULT  
GRANULATOR APPLICATIONS**



## GRANULATOR (TR-1400)

### TECHNICAL SPECIFICATIONS

#### DRIVE AND TRANSMISSION SYSTEM

Power Range	150 HP
Number of Motors	1
Drive Specification	Electric
Voltage	As per Customer's Requirement

#### CUTTING SYSTEM

Cutting Chamber	L 1400 mm X W 700 mm
Rotor Diameter	700 mm
Rotor Length	1400 mm
No. of Rotating blades	18
No. of Static blades	6
Hopper Opening (OG X OF)	L 1350 mm X W 410 mm
Hopper Height (OE)	1350 mm
Discharge Height (OD)	1600 mm
In-feed Height (OC)	3800 mm

#### OVERALL DIMENSIONS AND WEIGHT

Equipment Length (A)	3800 mm
Equipment Width (B)	1800 mm
Equipment Height (C)	4300 mm
Equipment Weight (Approx.)	8000 Kg

\*Above displayed technical data, dimensions and specifications of equipment is representational. Dimensions are approximate. Actual equipment data may differ from shown. Consult with fornax for actual equipment drawing and layout plan.

### OPTIONAL EQUIPMENTS



#### INFEEED SCREW CONVEYOR

For conveying granule material to next stage.



#### PNEUMATIC CONVEYING

To convey materials for further processing and packaging.



#### CLASSIFIER

Multi layers screen to separate textiles.



#### SEPARATION TABLE

To categorize different density material by vacuum gravity separator.



#### DRUM MAGNET

To remove leftover steel wires from rubber granules.



#### SERVICE PLATFORM

For easy maintenance and serviceability

**FORNAX** CUSTOMER ASSISTANT  
+91 90330 77711, 90330 77796

B-908, Titanium Square, Thaltej Cross Road, Ahmedabad - 380054, Gujarat, India.  
Email : info@fornax.com | www.fornax.com

