

SR-40



SR-SERIES PRIMARY SHREDDERS SPECIFICATION SHEET



INTRODUCTION

The Fornnax Dual-Shaft SR-40 Primary Shredder is best example of modern engineering and technology in the field of recycling business. Each shaft is driven by its own motor and generates high torque at low speed providing plenty of power to individual shaft. The Fornnax Dual-Shaft SR-40 Shredder is tailor-made and multi-purpose machine to be utilised for size reduction of bulky waste, data destruction and primary shredding where output size variations are acceptable. The output size depends upon the knives thickness and consists of “strips” of sizes varying from 25 mm to 50 mm.

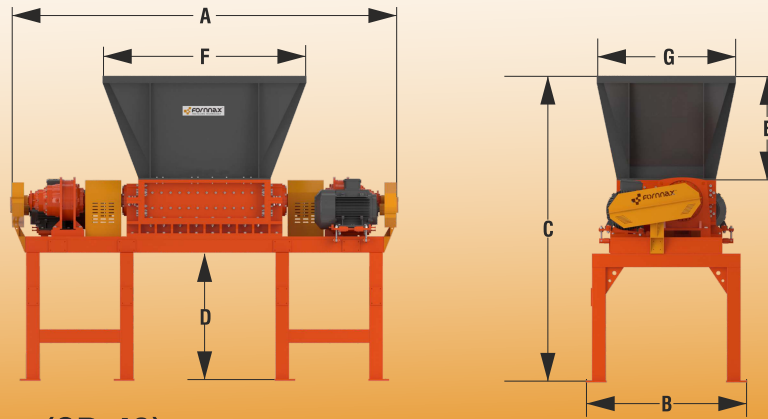
APPLICATIONS

- Passenger Tyre
- Municipal Solid Waste
- Light E-Waste
- Metal Drums
- Plastic Scrap
- Pharmaceuticals
- Data Destruction
- Woods/ Pallets
- Wire Cable Scrap
- Paper/Cardboard
- Many more...

FEATURES

- High Throughput - low power consumption drive design
- Service Platform - maintenance is easy
- Specially Designed Knives - with hard face & re-grind multiple times for low cost operations
- Specific Stop/Auto Reversal Feature - protects against over-feeding and damage by unsuitable materials
- Output Size - can be easily controlled
- Inlet & Outlet hopper - highly customized

**SUITABLE FOR MOST DIFFICULT
SHREDDING APPLICATIONS**



PRIMARY SHREDDER (SR-40)

TECHNICAL SPECIFICATIONS

DRIVE AND TRANSMISSION SYSTEM

Power Range	60-80 HP
Number of Motors	2
Drive Specification	Electric
Voltage	As per Customer's Requirement

CUTTING SYSTEM

Cutting Chamber	1005 mm X 700 mm
Knives Thickness	30-50 mm
Knives Diameter	385 mm
Hopper Opening (F X G)	1750 mm X 1301 mm
Hopper Height (E)	921 mm
Discharge Height (D)	1216 mm
In-feed Height (C)	2781 mm

OVERALL DIMENSIONS AND WEIGHT

Equipment Length (A)	3800 mm
Equipment Width (B)	1490 mm
Equipment Height (C)	2781 mm
Equipment Weight (Approx.)	6000 Kg

*Above displayed technical data, dimensions and specifications of equipment is representational. Dimensions are approximate. Actual equipment data may differ from shown. Consult with fornax for actual equipment drawing and layout plan.

OPTIONAL EQUIPMENTS



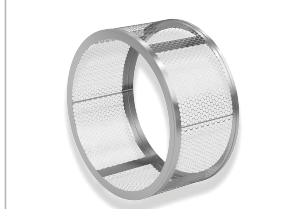
PUSHER RAM

To assist the material towards cutting process.



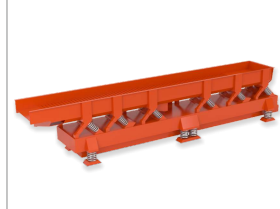
CONVEYING SYSTEM

For conveying material to next stage.



TROMMEL SCREEN

To separate oversize output material.



RESONANCE SCREEN

To separate oversize output material.



SERVICE PLATFORM

For easy maintenance and serviceability

